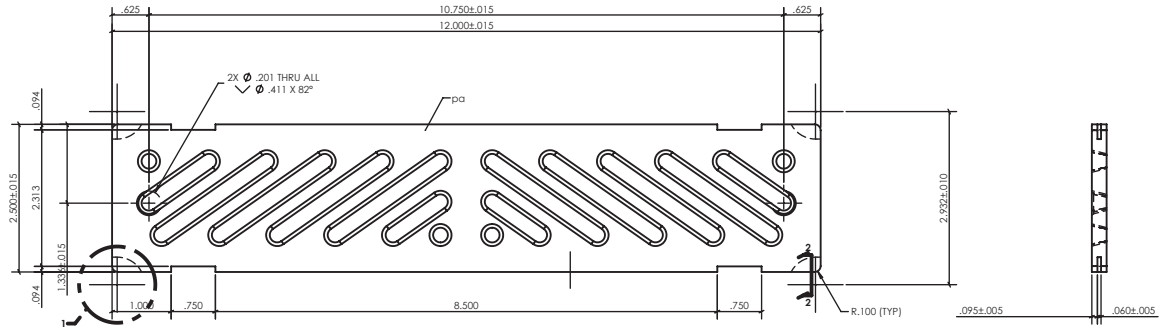
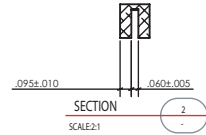
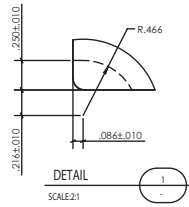


**ISOMETRIC VIEW**

MARK	P.C.DET.	QTY	STEEL SHAPE	DESCRIPTION / 1ST DIMENSION	2ND DIM	LENGTH	REMARKS	WT	SF
<b>SVI-2x12-B</b>		1		<b>VENT INSERT FOR 2x12</b>				<b>0.54</b>	<b>0.46</b>
	pa	1	PL	0.25	2.5	12		0.54	0.46



**DETAIL: SVI-2x12-B**



**PROTECTED BY:**  
All Rights Reserved

**PATENT  
LICENSING  
COPYRIGHT  
TRADEMARK**

DESIGN TILE & FLOORING	
DESCRIPTION:	DETAIL VENT INSERT FOR 2x12 BREEZE
DRAWN BY:	Don Benkowski
CHECKED BY:	
DWG NO.:	50-2x12-B
DATE:	06/18/20
SHEET NO.:	1 OF 1
SCALE:	1:0
REV.:	0

NO.	DATE	REVISION	BY
0	06/18/20	ISSUED FOR FABRICATION	DR

FABRICATION TOLERANCES: (UNLESS NOTED)