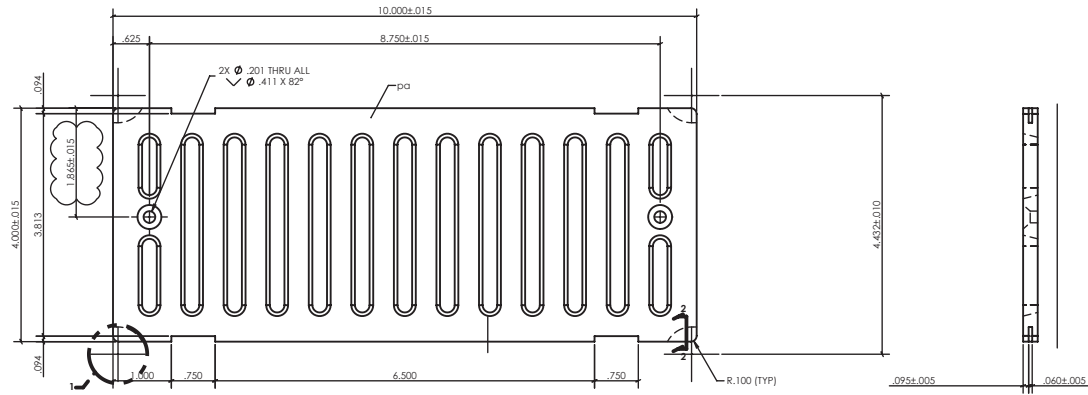
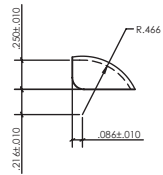


ISOMETRIC VIEW

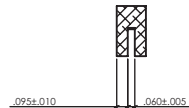
MARK	P.C.DET.	QTY	STEEL SHAPE	DESCRIPTION / 1ST DIMENSION	2ND DIM	LENGTH	REMARKS	WT	SF
VI-4x10-F		1		VENT INSERT FOR 4x10				0.7	0.00
	pa	1	PL	0.25	4	10		0.7	0.59



DETAIL: VI-4x10-F



DETAIL 1
SCALE:21



SECTION 2
SCALE:21

PROTECTED BY: PATENT LICENSING COPYRIGHT TRADEMARK
All Rights Reserved

NO.	DATE	REVISION	BY	DESCRIPTION
0	04/21/20	ISSUED FOR FABRICATION	SB	DETAIL VENT INSERT FOR 4x10 (FOREST)
1	7/20/2020	REVISED DIMENSION	SB	

DRAWN BY: Don Santowski	DATE: 06/20/20	SCALE: 1:1
CHECKED BY:	DATE:	DWG NO:
DWG NO: SW-4x10-F	ISSUED NO: 1 OF 1	REV: 1

FABRICATION TOLERANCES: (UNLESS NOTED)

±.0005	±.001	±.002	±.005
--------	-------	-------	-------