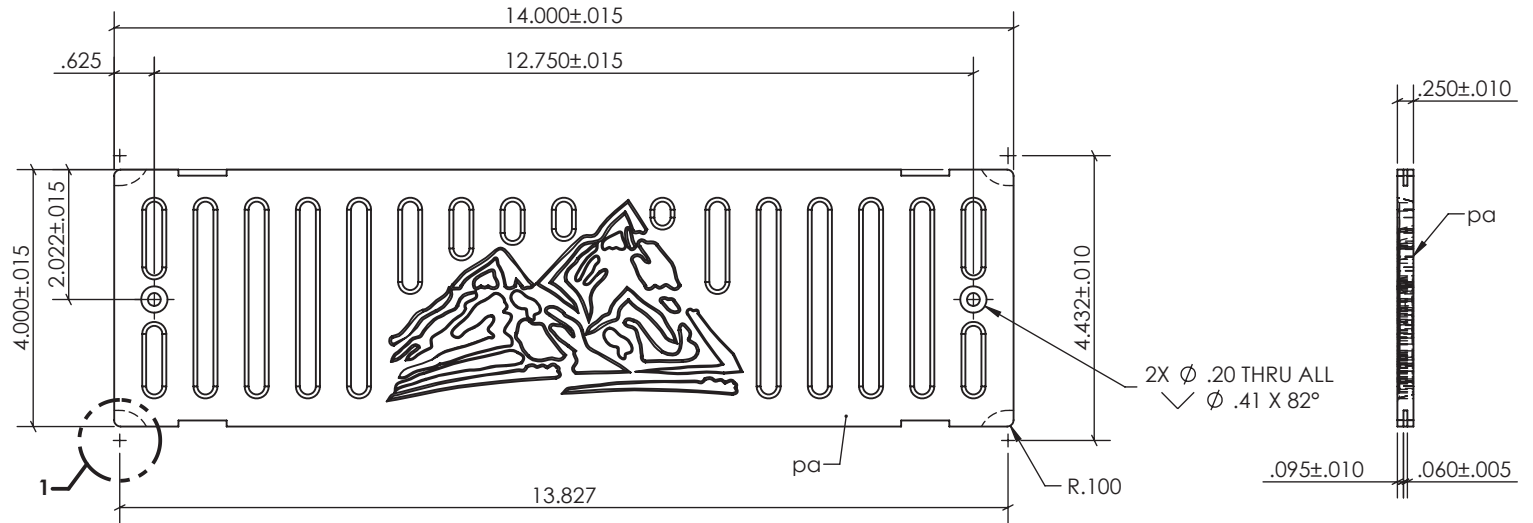


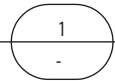
ISOMETRIC VIEW



DETAIL: VI-4x14-A

DETAIL

SCALE:1:1



MARK	PC.DET.	QTY	STEEL SHAPE	DESCRIPTION / 1ST DIMENSION	2ND DIM	LENGTH	REMARKS	WT	SF
VI-4x14-A		1		VENT INSERT 4x14				1.03	0.89
	pa	1	PL	0.25	4	14		1.03	0.89

PROTECTED BY: PATENT LICENSING COPYRIGHT TRADEMARK <small>All Rights Reserved</small>		
DESCRIPTION: DETAIL 4x14 VENT INSERT AVALANCHE		
DRAWN BY: Don Benkowski	DATE: 07/08/20	SCALE: 6"=1'-0"
CHECKED BY:	DATE:	JOB NO.:
DWG NO: VI-4x14-A	SHEET NO.: 1 OF 1	REV.: 1

NO.	DATE	REVISION	BY
0	07/08/20	ISSUED FOR FABRICATION	db

FABRICATION TOLERANCES: (UNLESS NOTED)

± .005 ± .005 ± .005 ± .005
± .005 ± .005 ± .005 ± .005