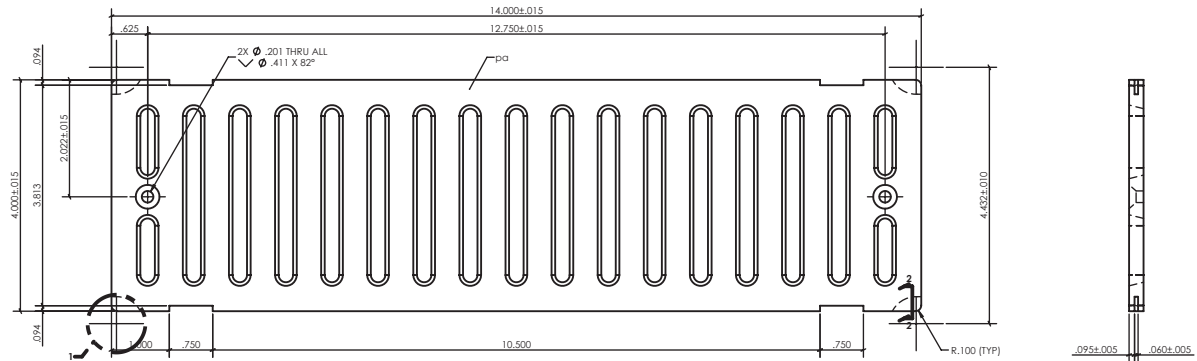
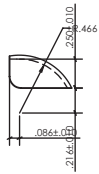


ISOMETRIC VIEW

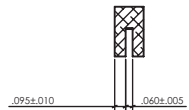
MARK	PC.DET.	QTY	STEEL SHAPE	DESCRIPTION / 1ST DIMENSION	2ND DIM	LENGTH	REMARKS	WT	SF
SVI-4x14-F		1		VENT INSERT FOR 4x14				1.01	0.82
	pa	1	PL	0.25	4	14		1.01	0.82



DETAIL: SVI-4x14-F



DETAIL 1
SCALE: 2:1



SECTION 2
SCALE: 2:1

PROTECTED BY:
All Rights Reserved

**PATENT LICENSING
COPYRIGHT
TRADEMARK**

NO.	DATE	REVISION	BY	DESCRIPTION
0	04/03/00	ISSUED FOR FABRICATION	db	DETAIL VENT INSERT FOR 4x14 FOREST

DRAWN BY: Don Benkowski	DATE: 06/20/00	SCALE: 1:1
CHECKED BY:	DATE:	JOB NO.:
DWG NO.: SVI-4x14-F	SHEET NO.: 1 OF 1	REV: 0